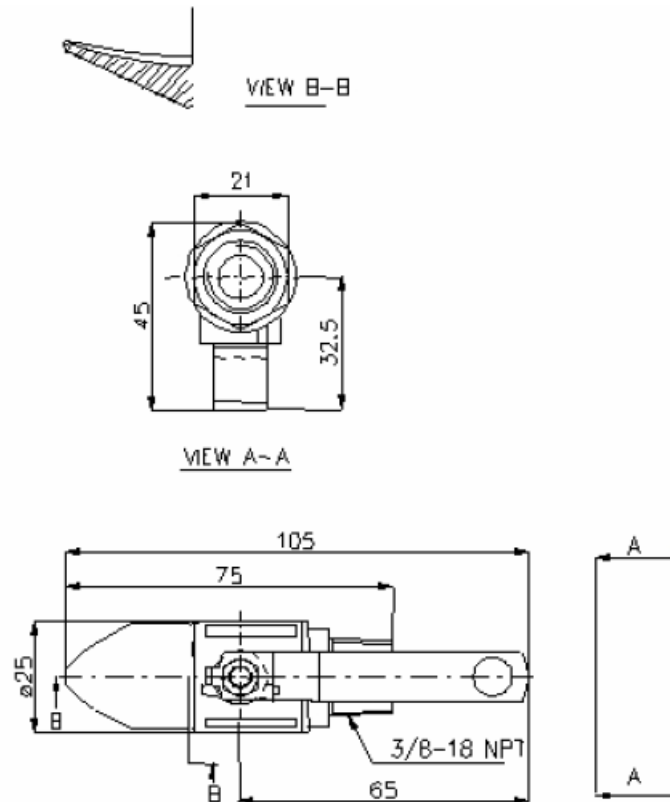


Quick Purge™ Flat Fan Nozzle Technical Data



The image above shows the handle in normal operating position. Purging the nozzle is performed by rotating the lever clockwise 180° (as viewed from the top) debris is removed by reverse flow backflushing through the orifice. After clearing the orifice of debris the lever is then turned counter clockwise to above normal operating position. When the nozzle is put back into the normal operating position it may be necessary to rotate the lever slightly clockwise or counterclockwise to obtain the best fan quality.

Volume in GPM @ Below Operating Pressures in psig						
Part Number	Orifice (inches)	40	50	60	75	100
QP1	.110"	2.00	2.20	2.40	2.70	3.20
QP2	.120"	2.80	3.10	3.40	3.80	4.40
QP4	.140"	4.00	4.50	4.90	5.50	6.30

Notes: Fan angle @ 100 psig is approximately 35 degrees
 Fan Angle is slightly narrower at lower operating pressures.
 Approximate weight of each nozzle .5 pounds/227 grams and varies slightly by orifice size.